

C_f = Free Capacity

----- Wavelength 1 link

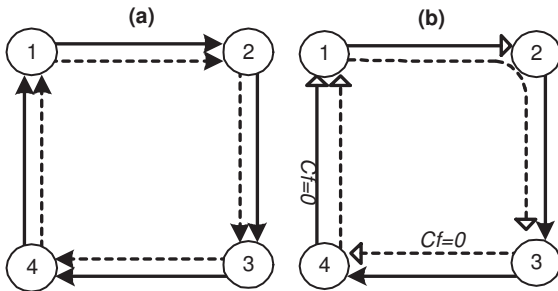
———— Wavelength 2 link

————▶ Lightpath on WL 2

-----▶ Lightpath on WL 1

● Transmitting Vertex

○ Receiving Vertex



/// Potential Extended Lightpath

/ Potential Lightpath

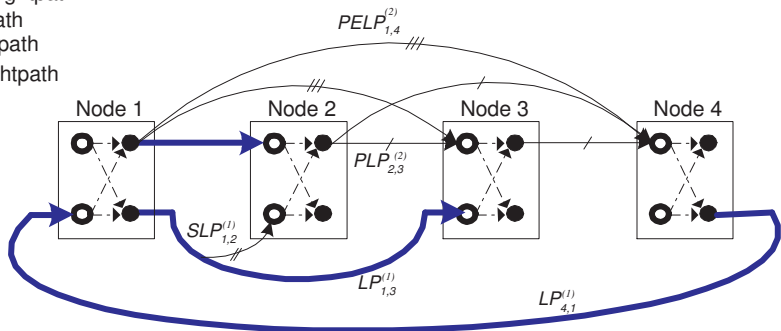
—# Sub-lightpath

----- Grooming path

— Existing lightpath

Wavelength Layer 2

Wavelength Layer 1



(c)